

Permanent Magnet DC Motors 41-42

20 - 40 WATTS (1/36 - 1/18 HP)

PMDC motors supplied in 12 or 24 Vdc.

Applicable to small drives in continuous or intermittent duty, as pumps, electric locks, linear actuators, laboratory machine, toys, fans, etc..

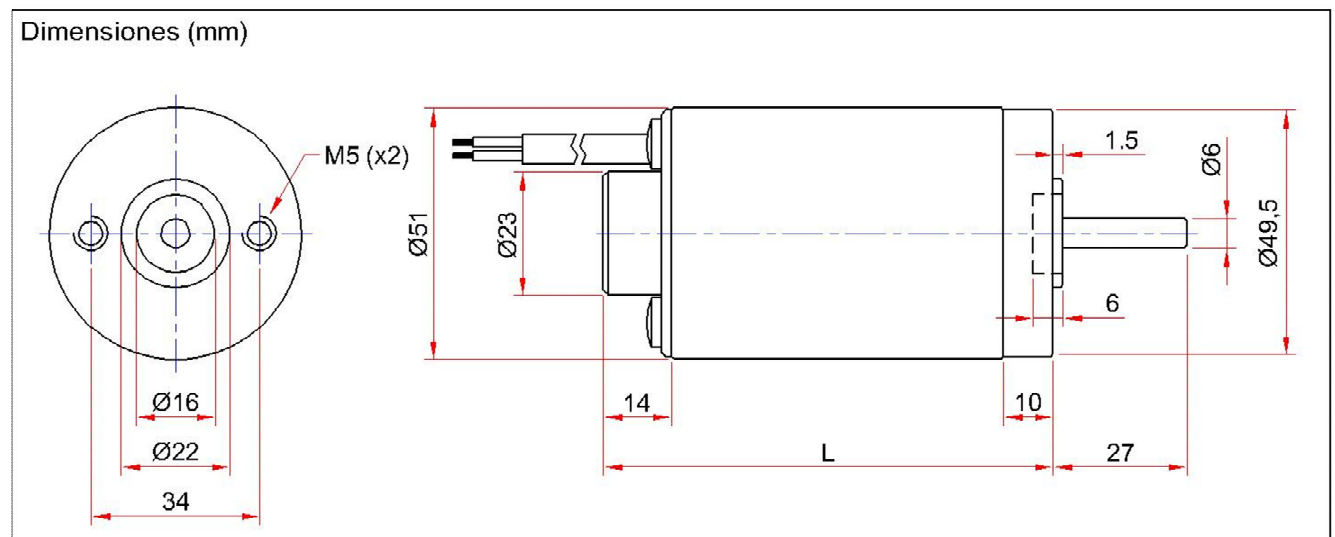
Can be supplied at different voltages indicated, two sizes 25 and 40 watts of mechanical power output shaft.

Features

Totally enclosed, non ventilated (IP-40), epoxy paint finish, injected plastic caps.

Permanent magnets ferrite ceramic, laminated armature able to work with electronic speed control (PWM)

SAE1040 steel shaft, self-lubricating ball bearings. Internal brushes, front mounting.



web: www.remssi.com.ar email: info@remssi.com.ar

Tel: (5411)4653-0466/4488-4211 Fax: (5411)4488-6545
Pueyrredón 4243-Ciudadela-Buenos Aires(1702) - Argentina

Performance Curves:

Figure1 shows the characteristic curves of permanent magnet motors, the data for each model listed in table1.

The nominal values are set for self-ventilated motors for continuous duty for other operating conditions are recommended to consult with our technical staff.

P_m : Mechanical Power on Shaft.

U_n : Nominal Voltage.

I_n : Nominal Current.

n_n : Nominal Speed.

T_n : Nominal Torque.

n_0 : No load Speed.

T_a : Starting Torque.

I_a : Starting Current.

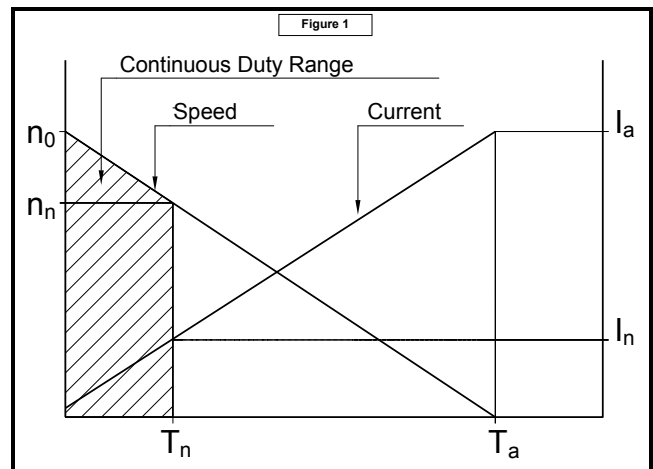


Table1 – Available Models:

Model	Nominal Values									
	P_m	U_n	I_n	n_n	T_n	n_0	T_a	I_a	Long L	Weight
	Watt	Volt cc	Amp.	rpm	Ncm	rpm	Ncm	Amp.	mm	Kg
411201	20	12	2.5	4000	5.0	4700	45	15	90	0.56
411202	20	12	2.8	5000	4.0	5700	38	19	90	0.56
411203	25	12	3.8	6000	4.0	6700	45	25	90	0.56
411204	25	12	4.4	10000	2.5	11000	36	35	90	0.56
411205	10	12	1.2	1800	5.0	2000	30	7	90	0.56
411206	5	12	0.8	1700	2.5	2000	18	4	90	0.56
411207	15	12	1.6	3200	3.0	3800	34	12	90	0.56
412401	20	24	1.5	4000	4.5	4500	40	11	90	0.56
412402	20	24	1.7	5000	4.0	6100	45	13	90	0.56
412403	20	24	1.5	6000	3.5	6500	40	13	90	0.56
412404	30	24	2.8	9000	2.4	10000	65	30	90	0.56
412405	10	24	0.8	1800	4.5	2300	23	3	90	0.56
412407	15	24	1.2	3500	4.0	4100	27	6	90	0.56
421201	30	12	4.0	4000	7.0	5300	50	23	103	0.68
421202	30	12	4.5	5000	5.6	6000	37	21	103	0.68
421203	30	12	4.0	6000	4.5	7500	44	29	103	0.68
421205	15	12	2	2000	5	2900	26	9	103	0.68
422401	30	24	1.8	4000	6.0	5300	40	10	103	0.68
422402	30	27	2.4	5000	5.5	6100	52	18	103	0.68
422403	40	24	2.5	6000	5.2	7800	60	22	103	0.68
422405	20	24	1	2500	7	3000	38	5	103	0.68