
Permanent Magnet DC Motor

150 - 250 watts (1/5 - 1/3 HP)

These DC motors for its compact design and flat front, allow different mounting and applications.

Generally used in industry, automation, drive, servo, ventilation, cooling, etc..

Possibility to attach a right angle worm gear box.

Available in 12 or 24 Vdc, to order can be manufactured in other voltages and powers.

Features:

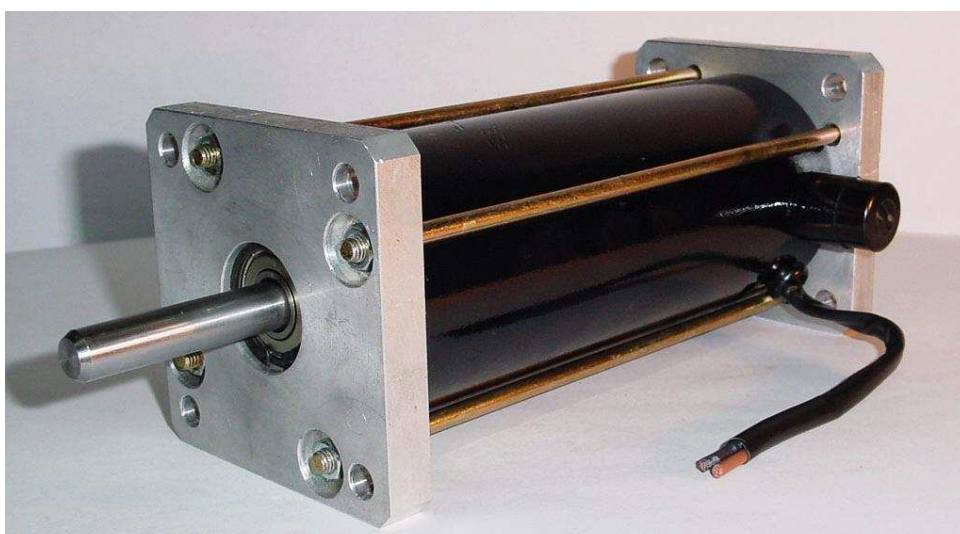
Steel housing with internal ventilation slots (IP-20). Front and back aluminum endshields.

Ferrite ceramic magnets, laminated armature suitable for static systems work with speed control PWM.

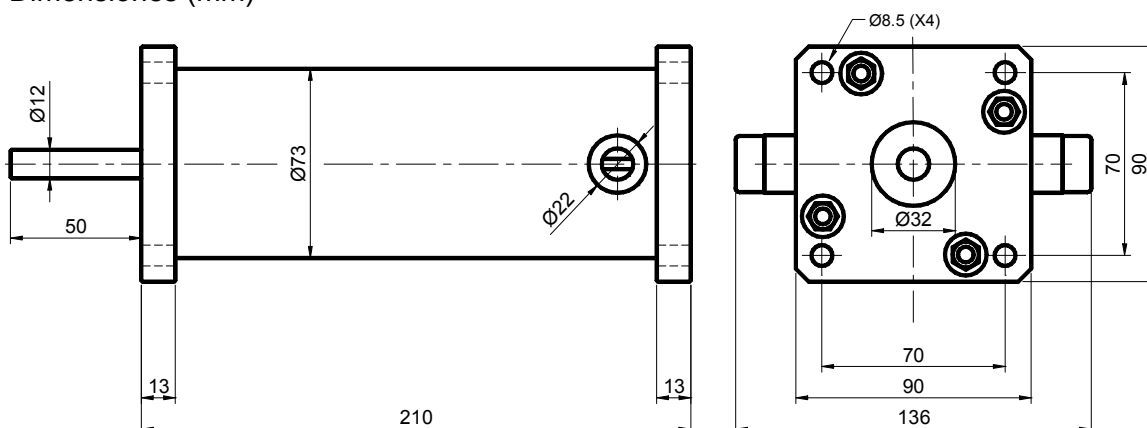
SAE1040 steel shaft mounted on ball bearings self-lubricating.

Class F insulation.

Oversized commutator and brushes for long life, external brush access for easy inspection and replacement.



Dimensiones (mm)



Performance Curves:

Figure 1 shows the characteristic curves of permanent magnet motors, the data for each model listed in table1.

The nominal values are set for self-ventilated motors for continuous duty for other operating conditions are recommended to consult with our technical staff.

P_m : Mechanical Power on Shaft.

U_n : Nominal Voltage.

I_n : Nominal Current.

n_n : Nominal Speed.

T_n : Nominal Torque.

n_0 : No load Speed.

T_a : Starting Torque.

I_a : Starting Current

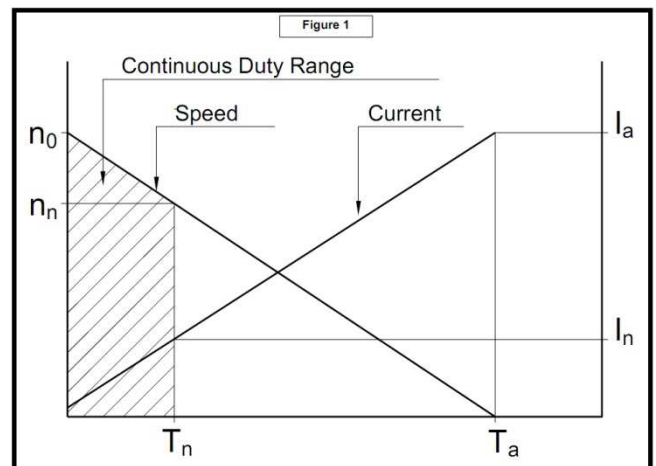


Table1_ Available Models

| Model | Nominal Value | | | | | n_0 rpm | T_a Nm | I_a Amp. | Weight Kg |
|---------|---------------|---------|-------|-------|-------|--------------|-------------|---------------|--------------|
| | P_m | U_n | I_n | n_n | T_n | | | | |
| | Watt | Volt cc | Amp. | rpm | Nm | | | | |
| 59L1201 | 200 | 12 | 20 | 2000 | 0.9 | 2300 | 5 | 110 | 3.9 |
| 59L1202 | 200 | 12 | 21 | 2500 | 0.7 | 2750 | 6.5 | 160 | 3.9 |
| 59L1203 | 250 | 12 | 25 | 3000 | 0.8 | 3500 | 7.5 | 230 | 4.0 |
| 59L1204 | 250 | 12 | 25 | 4000 | 0.6 | 4600 | 9 | 280 | 4.0 |
| 59L2401 | 200 | 24 | 10 | 2000 | 0.9 | 2300 | 5 | 55 | 3.9 |
| 59L2402 | 200 | 24 | 10 | 2500 | 0.7 | 2750 | 6.5 | 80 | 3.9 |
| 59L2403 | 250 | 24 | 13 | 3000 | 0.8 | 3500 | 7.5 | 120 | 4.0 |
| 59L2404 | 250 | 24 | 13 | 4000 | 0.6 | 4500 | 9 | 150 | 4.0 |